

Cila

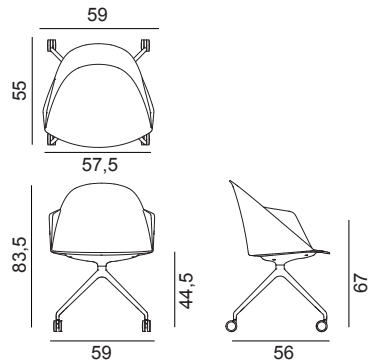
Design by Lievore Altherr, 2018

Art. 2232

Armchair with polished or powder-coated aluminium fixed trestle base mounted on self-braking castors. Polypropylene shell available in 5 colours.

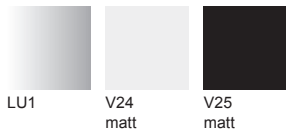


Dimensions *



* File CAD 2D - 3D available for download at www.arper.com

Frame Base



Shell

Polypropylene



arper

www.arper.com


info@arper.com


Cila

Design by Lievore Altherr, 2018

SHIPMENT DETAILS

Art.2232

1 pz = 2  - kg 12,66/ m³ 0,316

4 pz = 2  - kg 39,85/ m³ 0,451

TECHNICAL SPECIFICATIONS

Art.2232

*Classe 1, 2, 1IM: fire retardant version available with surcharge and eventual minimum batch

RESISTANCE TEST

- TUV GS (EN16139)

FIRE RETARDANT TEST

arper

www.arper.com
info@arper.com

www.arper.com